

USB Connectors “Type-C Series” KB-L06 Series

FEATURES

1. USB 3.1 Type-CTM Standard Compliant
2. TID : 5,200,000,331
3. USB PD Support
4. Improved wrenching strength
5. Optimized design with Precise processing technology advantage
6. High Quality



KB-L06 Series LIST

Model	Receptacle	Connector Type
KB-L06	Plug head	USB Type-C

HOW TO ORDER

1. KB-L06

KB - L06 - B 0 1 6 A
1

- 1 Series No. (L06)

SPECIFICATIONS

ELECTRICAL CHARACTERISTICS

Rated Voltage	20V rms
Rated Current	Pin No. A1, A4, A9, A12, B1, B4, B5, B9, B12 DC 1.25A(MAX), Other DC 0.25A
Withstanding Voltage	100V (rms) 1minute
Insulation Resistance	100MΩ (Initial)
Contact Resistance	40mΩ MAX (Initial)

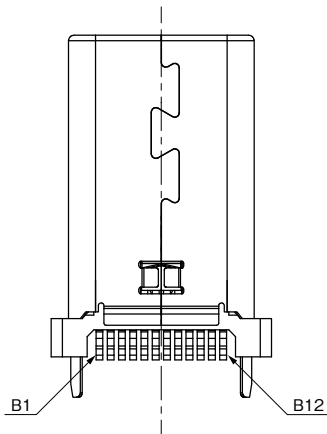
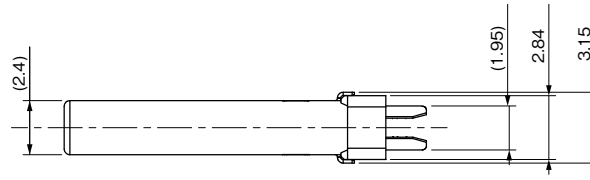
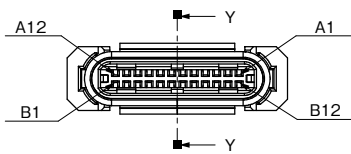
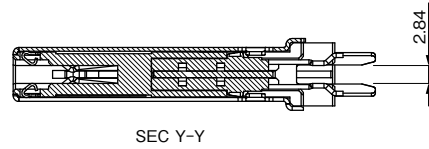
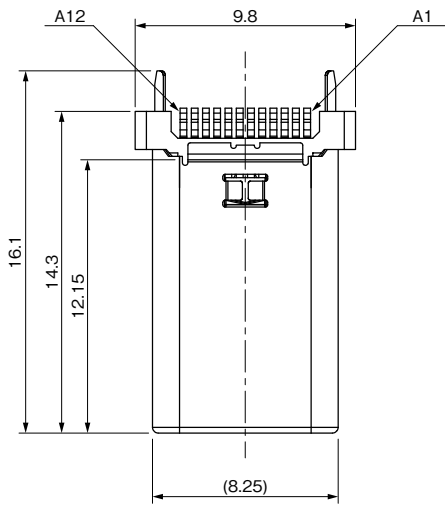
MECHANICAL CHARACTERISTICS

Life (Matching Cycle)	10,000 Cycles
Total Insertion Force	5 to 20N
Total Withdrawal Force	8 to 20N (Initial), 6 to 20N (After)

MATERIAL & FINISH

Component Parts	Material	Finish
Housing	LCP	Black
Contact	Copper alloy	NiPd+Au Plating
Shell	SUS/SUS	Ni Plating
Mid Plate	SUS/SUS	Ni Plating
EMC Pad	SUS/SUS	Ni Plating

DIMENSIONS



Unit : mm

• Any products mentioned in this catalog are subject to any modification in their appearance and others for improvements without prior notification.
 • The details listed here are not a guarantee of the individual products at the time of ordering. When using the products, you will be asked to check their specifications.

