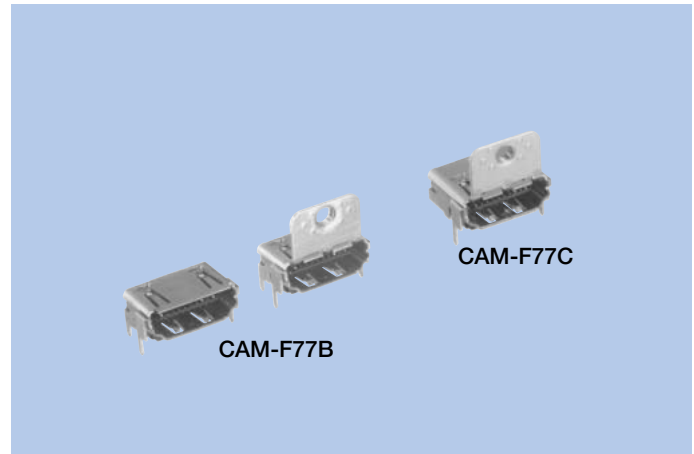


HDMI Connectors

CAM-F77B, F77C

FEATURES

1. 19 pins connectors that conform to HDMI interface.
2. There are two types of CAM-F77B, and F77C: those with a flange for mounting to external case and those without. There is also a F77B type with an enlarged mounter adhesion area.



HOW TO ORDER

1. CAM-F77B, F77C

F77B-019-210-AGGAA- * *

1
2
3
4

- 1 Series No. (F77B, F77C)
- 2 No. of contacts (019 : 19pins)
- 3 Specification code
- 4 Ancillary note
Type of appearance

*Please inquire regarding the packing specifications.

SPECIFICATIONS

CHARACTERISTICS

Rated Voltage	DC 40V
Rated Current	0.5A
Withstanding Voltage	AC 500V
Insulation Resistance	100MΩ min.
Contact Resistance	10mΩ min. (except for conductor resistance)

MECHANICAL CHARACTERISTICS

Life (Matching Cycle)	10,000times
Total Insertion Force	44.1N (4.50kgf) max.
Total Withdrawal Force	39.2N (4.00kgf) ~9.8N (1.00kgf)
Using Temperature Range	-20~85°C

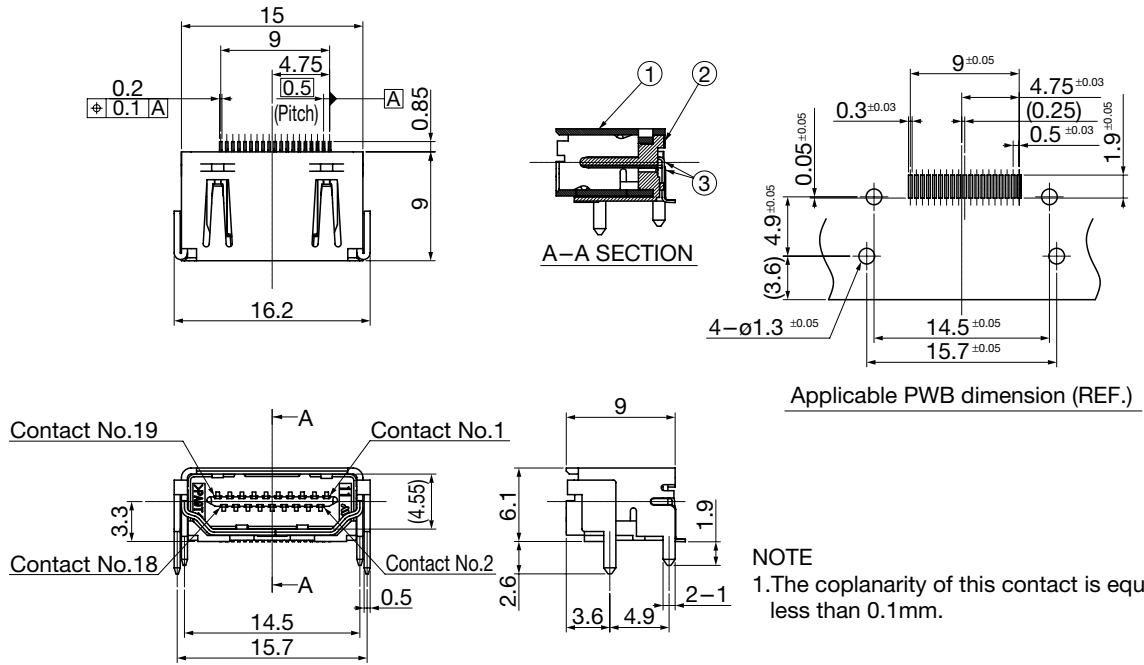
MATERIAL & FINISH

Component parts		Material	Finish
CAM-F77B	Housing	LCP resin	Black
	Contact	Copper Alloy	Gold plating
CAM-F77C	Shielded Case	Copper Alloy	Tin reflow plating

DIMENSIONS

CAM-F77B

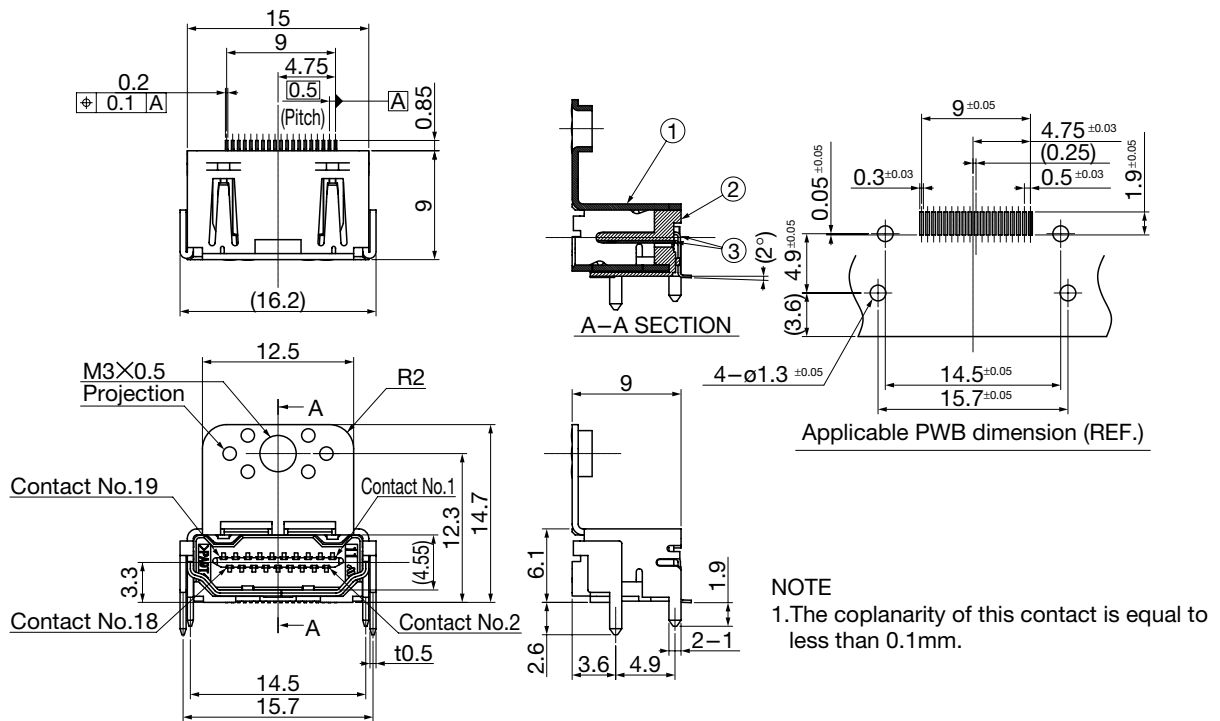
F77B-019-210-AGGAA-M



Unit : mm

CAM-F77B

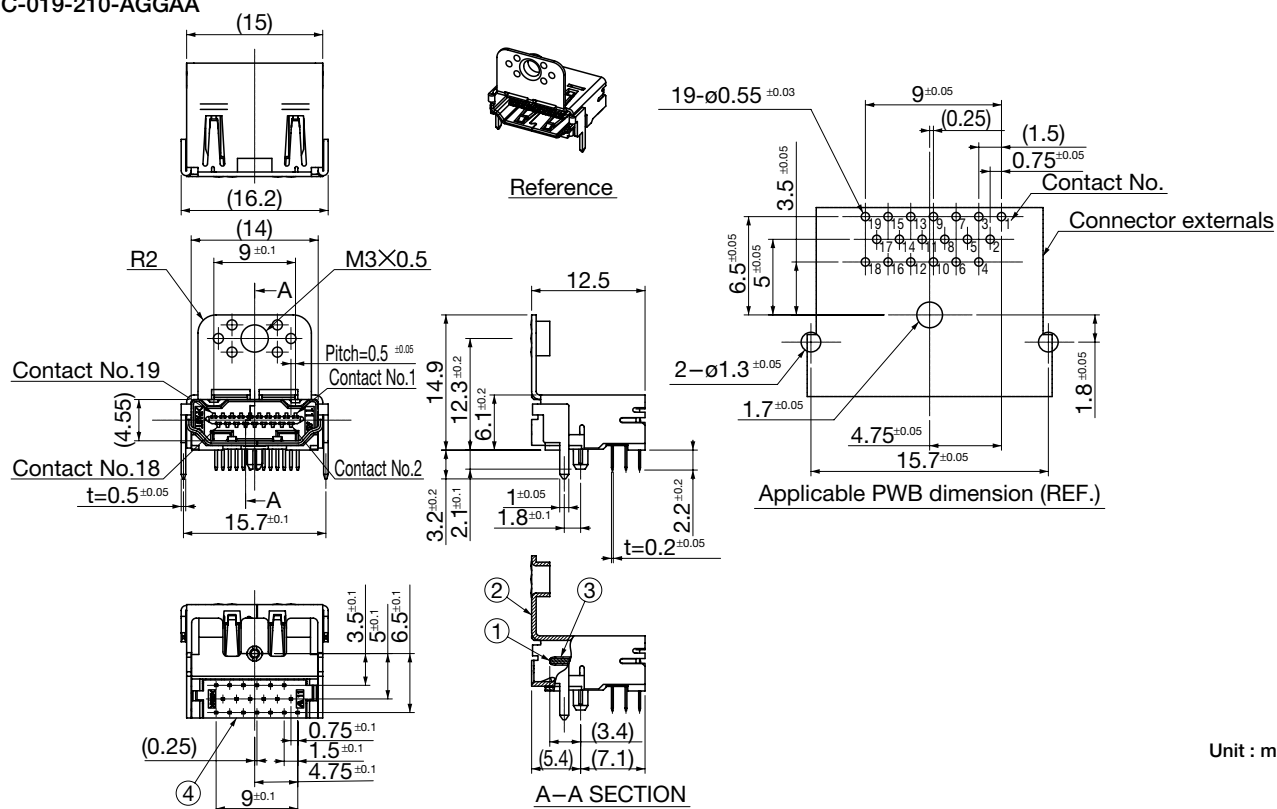
F77B-019-210-AGGAA-J



Unit : mm

• Any products mentioned in this catalog are subject to any modification in their appearance and others for improvements without prior notification.
• The details listed here are not a guarantee of the individual products at the time of ordering. When using the products, you will be asked to check their specifications.

CAM-F77C
F77C-019-210-AGGAA



Unit : mm

• Any products mentioned in this catalog are subject to any modification in their appearance and others for improvements without prior notification.
• The details listed here are not a guarantee of the individual products at the time of ordering. When using the products, you will be asked to check their specifications.