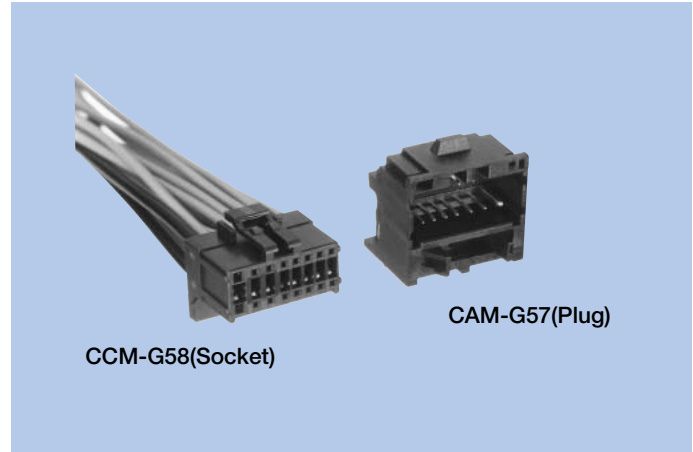


# Power Supply Voltage & Signal CAM-G57, CCM-G58

## FEATURES

1. These are 16 pins power supply connectors, with angle plugs.
2. A lock mechanism is provided, to ensure secure mating.
3. Plug connectors have a construction enabling mini-fuse mounting.
4. 80% smaller in volume, and 75% smaller in footprint compared to MITSUMI's conventional product.
5. The CAM-G57 has a reduced number of mounting poles to enhance freedom of board pattern design.



## HOW TO ORDER

1. CAM-G57 (Plug)

**G57-016-02 0-H J B A □**

1      2

- 1 Series No.(G57)
- 2 No. of contacts (016 : 16pins)

2. CCM-G58 (Socket)

**G58-016-5577 □**

1      2

- 1 Series No.(G58)
- 2 No. of contacts (016 : 16pins)

\* G58-016-5577 □ is a product number of the connector.  
The product number of each part single goods is as follows.

Housing Color	ZM-G58-5563A
Signal Pin	ZC-G58-5576F
Power Supply Pin	ZC-G58-5564F

## SPECIFICATIONS

### ELECTRICAL CHARACTERISTICS

Rated Voltage	14V DC
Rated Current	Signal terminal : 3A (Power Supply terminal : 12A)
Withstanding Voltage	500V AC (rms) 1minute
Insulation Resistance	100MΩ min. (at 500V DC)
Contact Resistance	15mΩ max.

### MECHANICAL CHARACTERISTICS

Life (Matching Cycle)	200 times
Total Insertion Force	68.6N (7kgf) max.
Total Withdrawal Force	9.8~98.0N (1~10kgf)
Using Temperature Range	-30~+85°C

## MATERIAL & FINISH

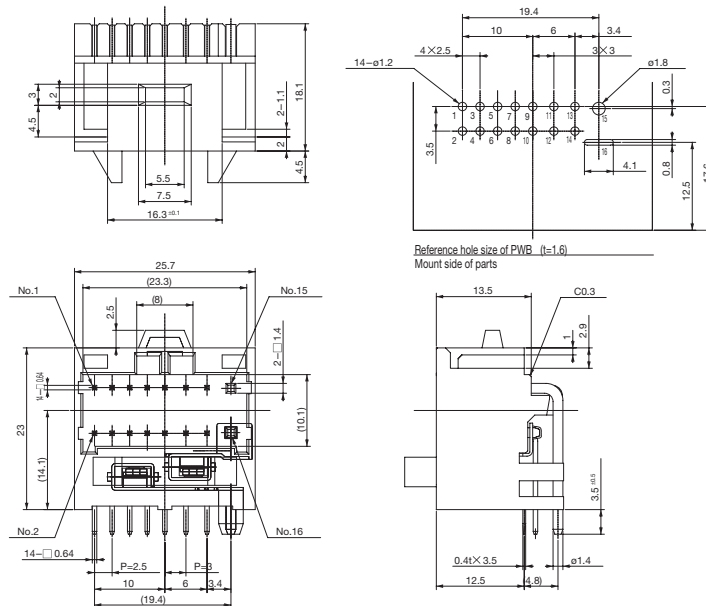
Component Parts		Material	Finish
CAM-G57	Housing	Glass filled PBT resin	—
	Contact	Copper Alloy	Tin reflow plating
	Fuse Terminal	Brass	Tin reflow plating
CCM-G58	Housing	Glass filled PBT resin	—
	Contact	Copper Alloy	Tin reflow plating

## WIRE SIZES

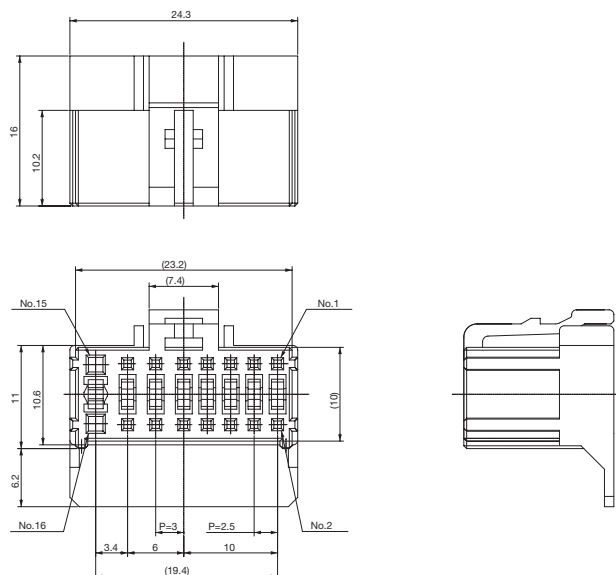
	For Signal	For Power Supply
Wire Sizes	AVS 0.5f(AWG20 Correspond)	AVS 1.25f(AWG16 Correspond)
Wire Covering Diameter	Ø2.0~2.1	Ø2.5~2.6

## DIMENSIONS

### CAM-G57 (Plug)



### CCM-G58 (Socket)



Unit : mm