

## Rectangular Connectors

# IAM-G20, E53, G21, CAM-G19, E52, E52B

### FEATURES

1. 1mm pitch connector of 26-pole type to be used between a board and a cable.
2. Provided with a lock mechanism that permits a secure connection.
3. A mis-insertion-proof key for fitting is adopted.
4. The service life related to insertion/removal is 5,000 times.



### HOW TO ORDER

1. Cable

**G20 - 026 -**

1            2            3

- 1 Series No. (G20 : Straight, E53 : Right Angle, G21 : Straight type for relay)
- 2 No. of contacts (026 : 26pins)
- 3 Number of specification

2. Receptacle

**G19 - 026 -**

1            2            3

- 1 Series No. (G19 : Angle PTH type, E52 : Angle SMD type, E52B : Angle SMD type, For the fitting-side GND only, the PTH type is adopted.)
- 2 No. of contacts (026 : 26pins)
- 3 Number of specification

## SPECIFICATIONS

### ELECTRICAL CHARACTERISTICS

Rated Voltage	30V DC
Rated Current	0.5A(1A up to pin 4)
Withstanding Voltage	300V AC(rms)1minute
Insulation Resistance	100MΩ min. (500V DC)
Contact Resistance	100mΩ max.

### MECHANICAL CHARACTERISTICS

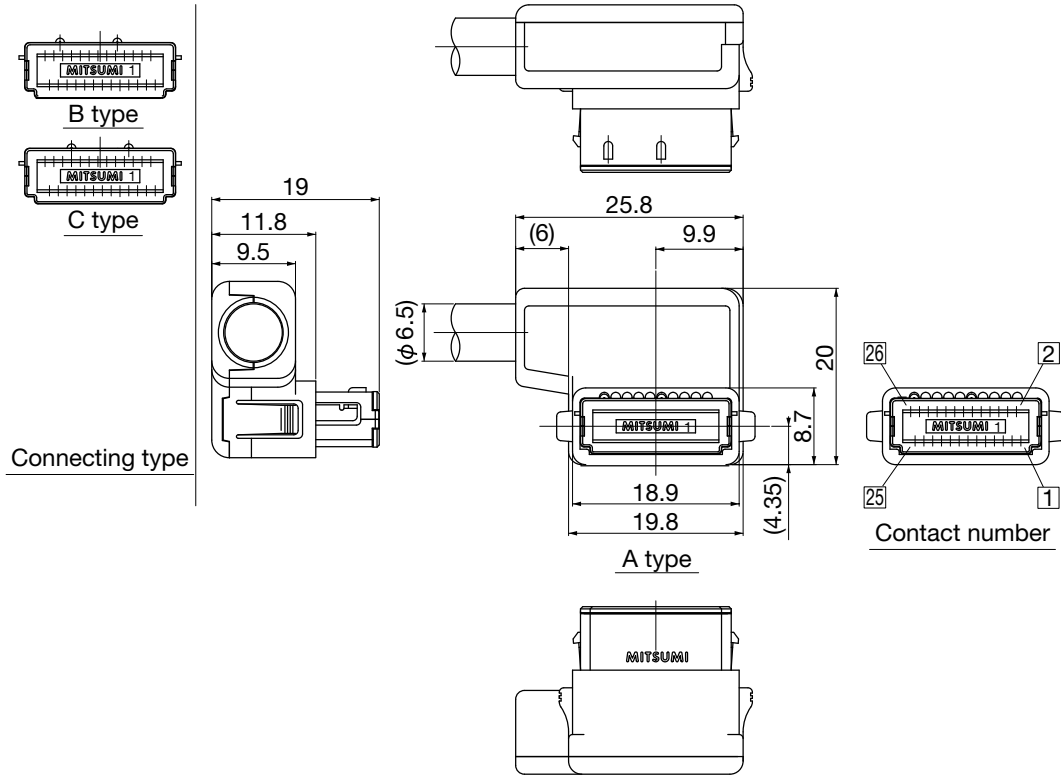
Life (Matching Cycle)	5,000 times
Total Insertion Force	39.2N max.
Total Withdrawal Force	1.96-39.2N max.
Using Temperature Range	-30~+85°C

## MATERIAL & FINISH

Component Parts		Material	Finish
IAM-G20, E53, G21 Cable Type	Housing	PBT resin	-
	Contact Pin	Copper alloy	Tin reflow plating
	Shield Case	Steel	Nickel plating
	Cover	PBT resin	-
	Locks	Copper alloy	Nickel plating
	Cord Clamper	Steel	-
CAM-G19, E52, E52B Receptacle	Housing	PBT resin	(PTH type)
	Housing	Nylon	(SMD/SMD+PTH type)
	Contact Pin	Copper alloy	Tin reflow plating
	Shielded Case	Copper alloy	Tin reflow plating

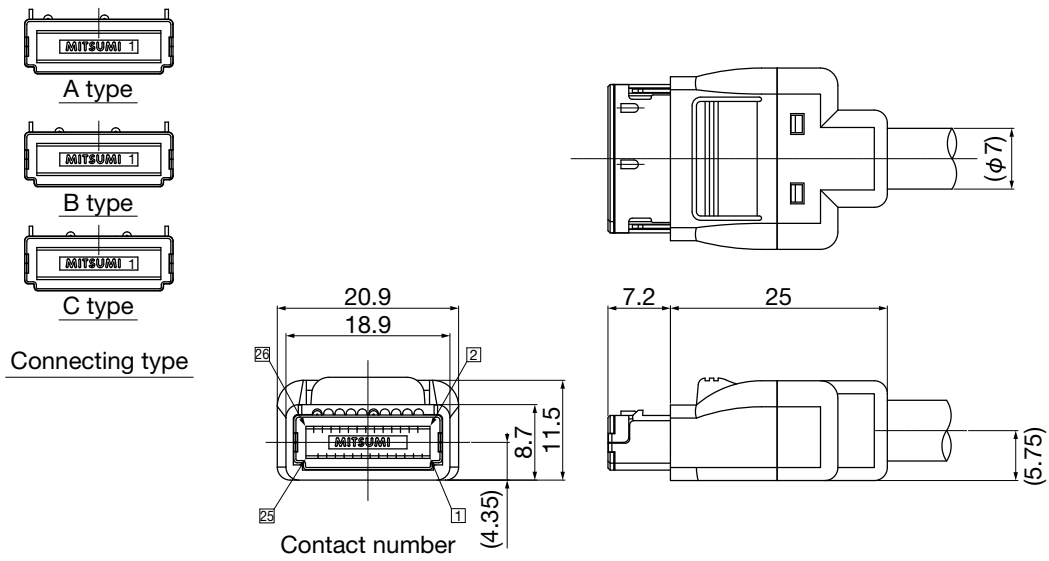
## DIMENSIONS

### IAM-E53



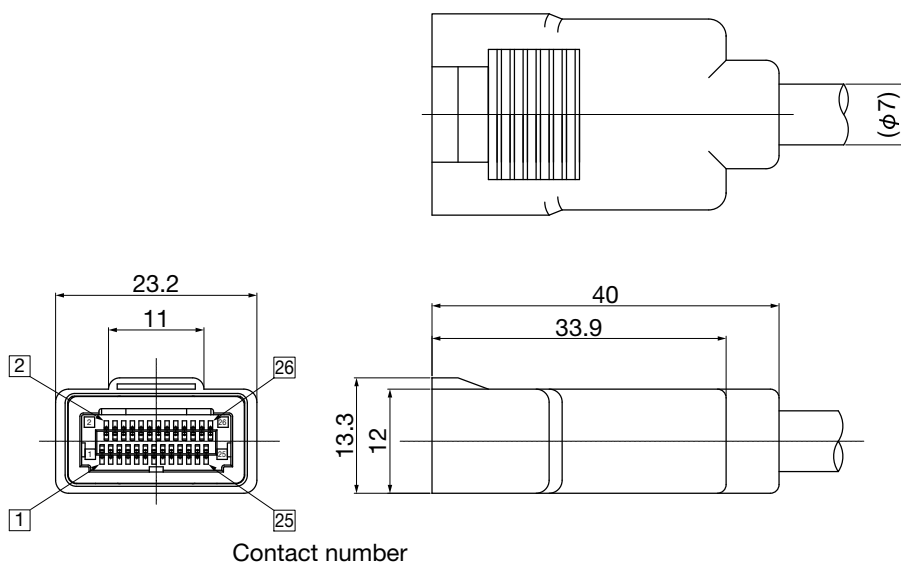
Unit : mm

### IAM-G20



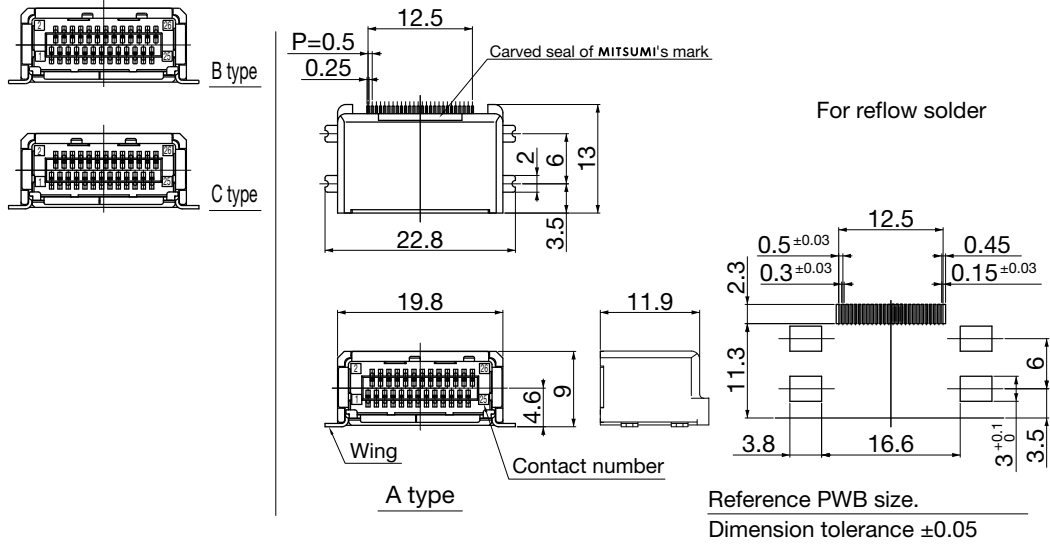
Unit : mm

IAM-G21



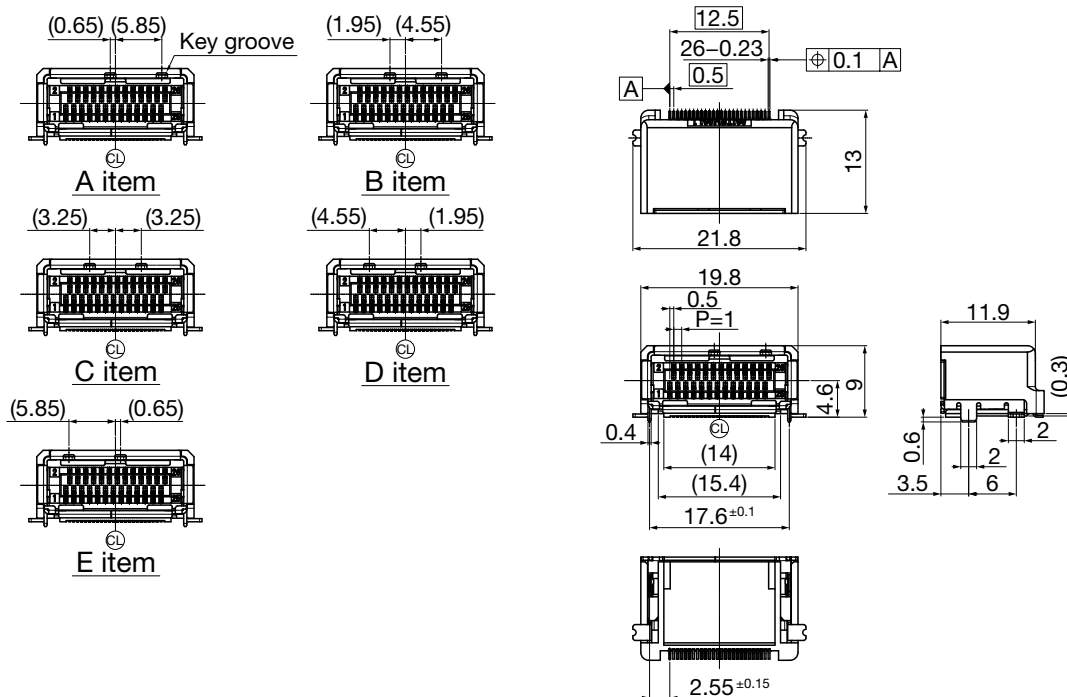
Unit : mm

CAM-E52



Unit : mm

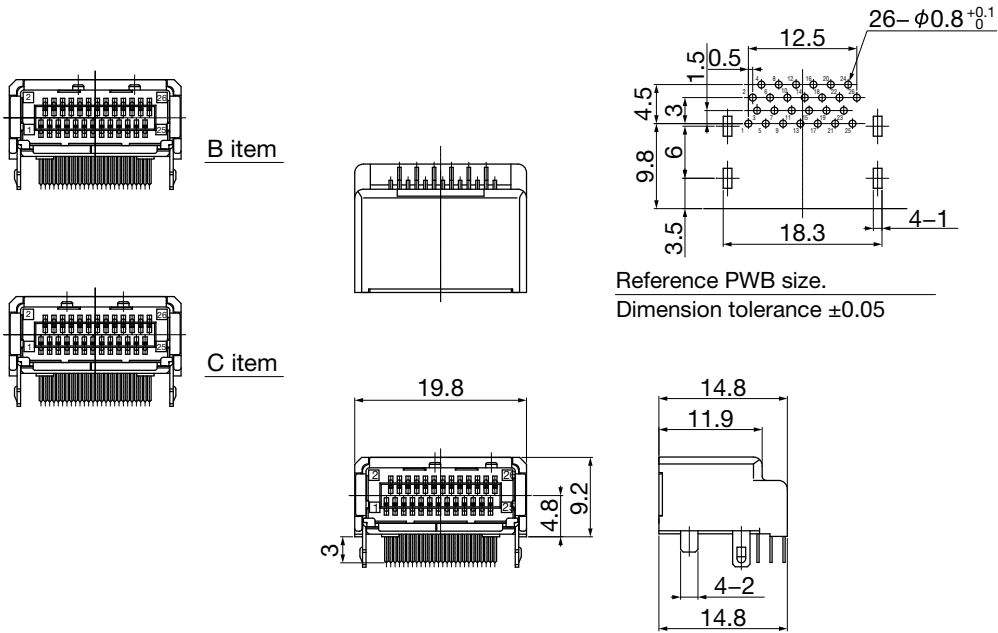
CAM-E52B



Unit : mm

• Any products mentioned in this catalog are subject to any modification in their appearance and others for improvements without prior notification.  
 • The details listed here are not a guarantee of the individual products at the time of ordering. When using the products, you will be asked to check their specifications.

CAM-G19



Unit : mm