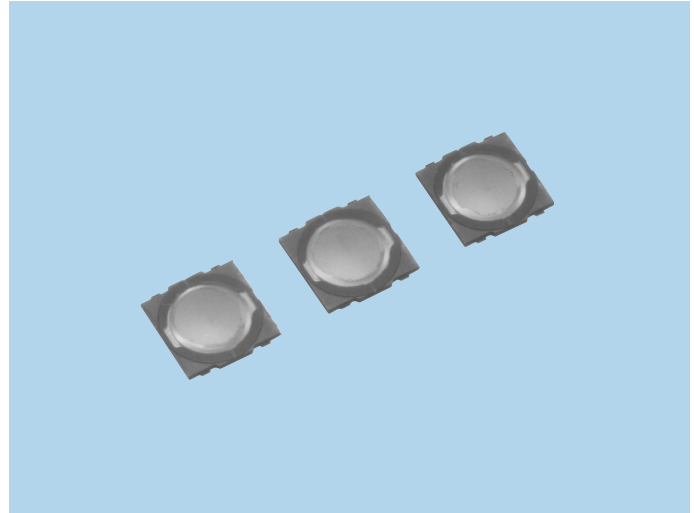


# Super Thin Type Tactile Switches SOC Series

## FEATURES

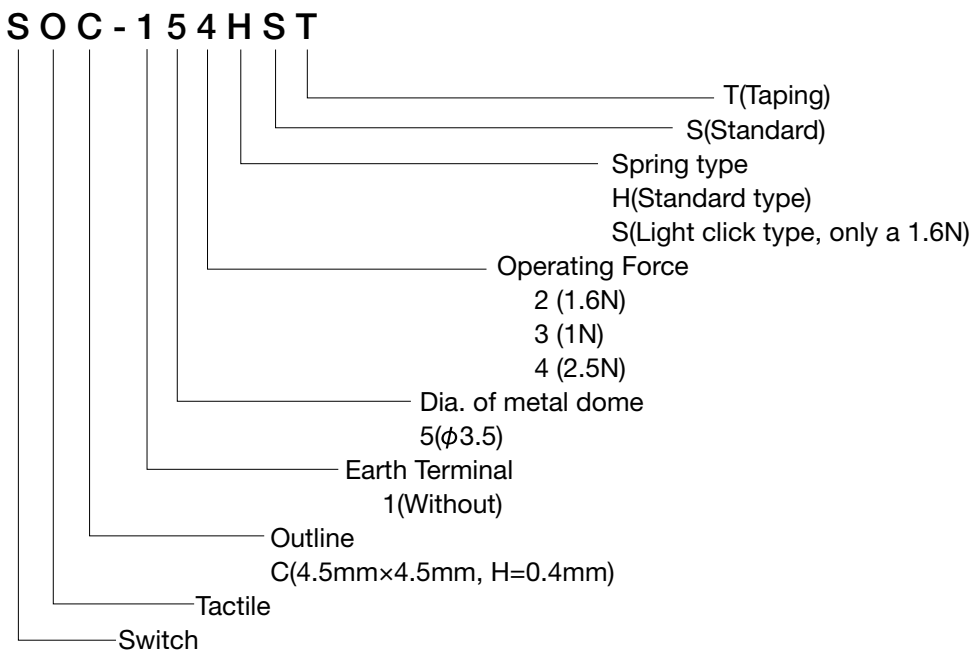
1. 0.4mm in thickness and 4.5mm in square.
2. Suitable for SMT reflow soldering.
3. Excellent dust proof and flux resistance.
4. Using the stainless steel metal dome with long life and sharp feeling.



## APPLICATIONS

1. For small electronic equipment such as DSCs.
2. For portable music players, potable video, etc.
3. For PCs, mobile phones, PDAs, etc.

## MODEL NAME CODE



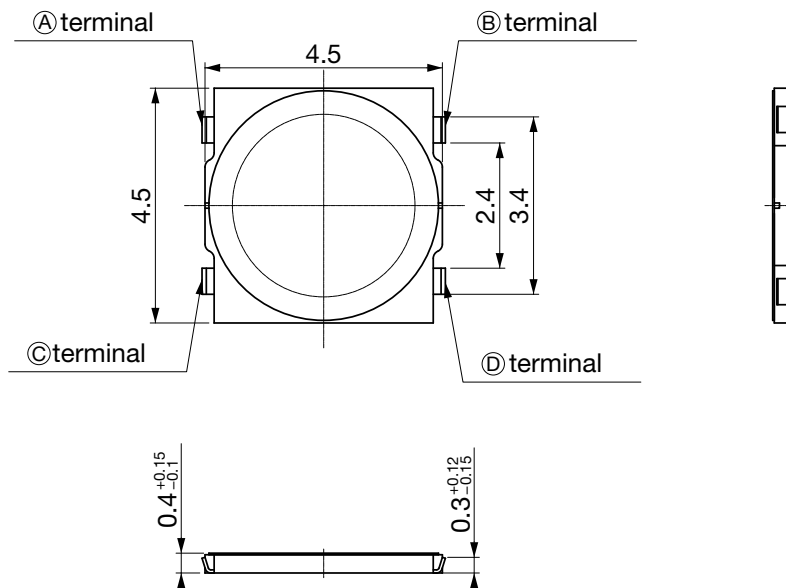
## SPECIFICATIONS

Electrical Characteristics	Rating (Resistive load)	20mA, 15V DC
	Contact Resistance	200mΩ or less
	Insulation Resistance	50MΩ or more
	Withstand Voltage	1 minute at 100V AC
Life	SOC-152HST, SOC-152SST	500,000 times
	SOC-153HST	1,000,000 times
	SOC-154HST	200,000 times

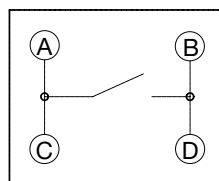
## TYPE

Model Name Code	Model Name	Operating Force	Pcs/Reel
SOC-152HST	R 667355	1.6N	10,000
SOC-152SST	R 667357	1.6N(Light click)	10,000
SOC-153HST	R 667358	1.0N	10,000
SOC-154HST	R 667356	2.5N	10,000

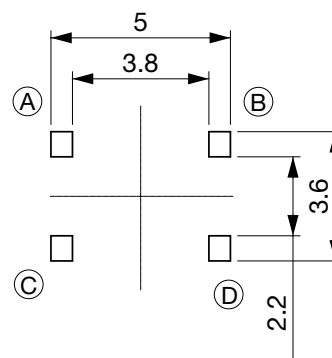
## DIMENSIONS



Circuit Diagram



Reference land dimensions



\* One reel accommodates 10,000 pieces (φ380).

Unit: mm